

Three-field Ionization Chamber  
Calibration Procedure  
for  
Pre-Amplifier board 61137A

The following adjustments apply to the calibration of a 61137A pre-amplifier board for a stationary 3-field ion chamber, e.g. for chest or table use.

**WARNING:**

- This service manual is available in English only.
- If a customer's service provider requires a language other than English, it is the customer's responsibility to provide translation services.
- Do not attempt to service the equipment unless this service manual has been consulted and is understood.
- Failure to heed this warning may result in injury to the service provider, operator or patient from electric shock and mechanical or other hazards.

This document represents proprietary information originated by Advanced Instrument Development, Inc. and which shall not be disclosed or utilized in any manner detrimental to the company's business.

The procedure assumes that the installation of the Automatic Exposure Control (AEC) is complete and that the AEC and x-ray generator are in proper working condition. After making the necessary interconnections between the ion chamber and the AEC, power up the system.

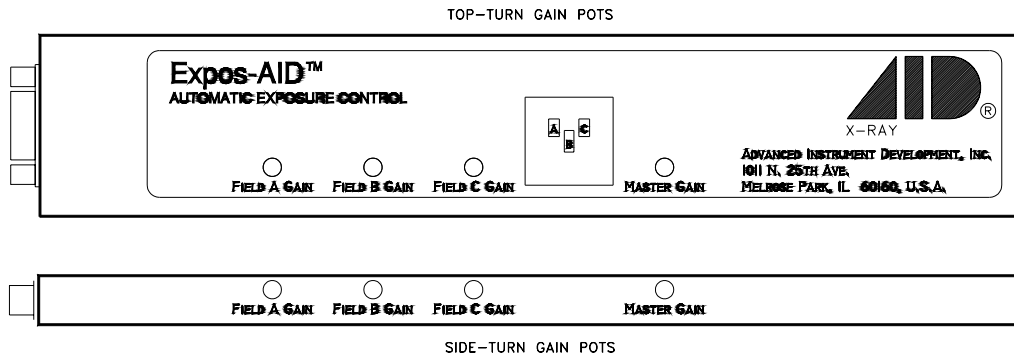
The 61137A pre-amplifier board can be configured to operate with several different AEC systems. If specified at the time of purchase, the ion chamber will be delivered with the pre-amplifier board already configured for a particular application. To reconfigure an ion chamber for a different configuration, see the section on Ion Chamber Inputs and Output and the section on Specific Configurations at the end of this document.

**Calibration/Test Set Up:**

Select the center field of the ion chamber. Set the generator for 100 kVp and maximum backup time. For 100 kVp use 8 to 10 inches (20 to 25 cm) of water or plastic for a phantom. Metals such as copper, aluminum or lead are not suitable for use as phantoms. Make sure the phantom is homogeneous and completely covers all fields equally. Center the x-ray beam on the center field. Collimate the x-ray beam so that it completely covers all three fields but does not extend beyond the limits of the phantom.

#### Adjustment Potentiometers:

All necessary adjustment potentiometers are accessible through the pre-amp chassis cover. There is no need to open the pre-amp cover during normal calibration procedures.



#### Master Gain Adjustment:

Typically, the chamber gain adjustment is the only adjustment needed when installing a ICX series ion chamber. Use the chamber gain adjustment to match the overall chamber sensitivity to that of the other stationary chambers connected to the system. Note that the chamber gain adjustment is a multi-turn potentiometer. A clockwise adjustment to the master gain potentiometer will increase the sensitivity of the chamber, causing the length of the exposure (mAs) to decrease.

Make exposures and process the films. Adjust the chamber gain for the desired optical density. Make the chamber gain adjustment for each stationary chamber being installed.

#### Field Balance Check:

Using the AEC post-exposure mAs display or other calibrated mAs meter check the individual fields to see that they are balanced, that is, that they produce the same mAs reading. If mAs readings are not stable from exposure to exposure for an individual field, then it will be necessary to expose films and make these adjustments based upon optical density.

If necessary, adjust the individual gain potentiometers to balance the outputs to give the same mAs reading for each field selected individually. Note that individual gain adjustments are multi-turn potentiometers. A clockwise adjustment to a field gain potentiometer will increase the sensitivity of that field, causing the length of the exposure (mAs) to decrease.

Ionization Chamber Pin-outs:

61137A Pre-amp Board Pin-out	Function	9-Pin Sub-D Pin-Out
N/C	NONE	1
2	FIELD 2 SELECT	2
3	FIELD 1 SELECT	3
4	RESET	4
5	OUTPUT	5
6	FIELD 3 SELECT	6
7	NEGATIVE SUPPLY	7
8	POSITIVE SUPPLY	8
9	GROUND	9

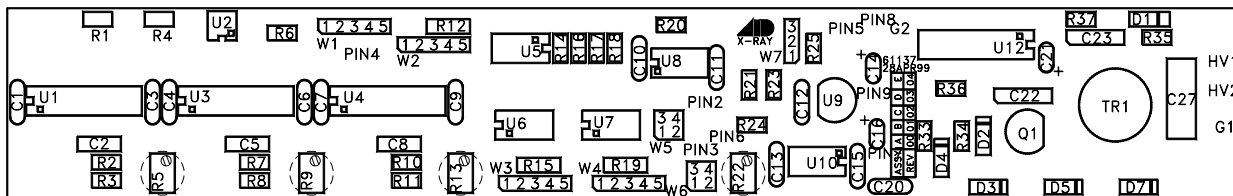
**NOTE:** Cable wire colors do not match those inside the pre-amp chassis. Cable pin-out details are available on-line at <http://www.aidxray.com> or by contacting Advanced Instrument Development, Inc.

Acceptable Power Supply Ranges for 61137A Pre-amp:

Supply Voltage	Measurement Point	Acceptable Range
+12VDC Pos. Input Supply Voltage	61137A pin 8	From +11.4VDC to +15.8VDC
-12VDC Neg. Input Supply Voltage	61137A pin 7	From -11.4VDC to -15.8VDC
+5VDC Regulated on board	61137A C12 (positive lead)	From +4.7VDC to +5.3VDC
+150VDC Internal Bias Voltage Regulated on board	61137A C27 at the cathode of D7	From +135VDC to +165VDC

Ionization Chamber Inputs and Output:

Signal	Jumper	Comments
Positive Supply Voltage Range	None	+11.4VDC to +15.75VDC less than 85 mA.
Negative Supply Voltage Range	None	-11.4VDC to -15.75VDC less than 15 mA.
Low-Active Reset (Exposure Duration)	W1 = 1-2 & 3-4	Pulling this line to ground ( $\leq 8VDC$ ) beginning at exposure start and lasting for the entire duration of the exposure allows the integrator to operate.
High-Active Reset (Exposure Duration)	W1 = 2-3 & 4-5	Pulling this high ( $\geq 4VDC$ ) beginning at exposure start and lasting for the entire duration of the exposure allows the integrator to operate.
Low-active Field Selects	W2, W3 and W4 = 1-2 & 3-4	Low-active: Pulling the field select lines to ground (0VDC) will select the field.
High-active Field Selects	W2, W3 and W4 = 2-3 & 4-5	High-active: Driving the field select lines high (+12VDC to +24VDC) will select the field.
Field Configuration A-B-C = 1-2-3	W5 = 1-3 & 2-4 and W6 = 1-2 & 3-4	Field selects 1, 2 and 3 select left (A), center (B) and right (C), respectively, as viewed from the x-ray tube-side of the ion chamber.
Field Configuration A-B-C = 2-1-3	W5 = 1-2 & 3-4 and W6 = 1-2 & 3-4	Field selects 2, 1 and 3 select left (A), center (B) and right (C), respectively, as viewed from the x-ray tube-side of the ion chamber.
Field Configuration A-B-C = 3-1-2	W5 = 1-2 & 3-4 and W6 = 1-3 & 2-4	Field selects 3, 1 and 2 select left (A), center (B) and right (C), respectively, as viewed from the x-ray tube-side of the ion chamber.
Field Configuration A-B-C = 3-2-1	W5 = 1-3 & 2-4 and W6 = 1-3 & 2-4	Field selects 3, 2 and 1 select left (A), center (B) and right (C), respectively, as viewed from the x-ray tube-side of the ion chamber.
Negative Output	W7 = 1-2	Time integrated signal ramping from 0VDC to a maximum of at least 80% of the supply voltage (-9.6VDC for -12VDC supply). The slope of this signal is directly proportional to the amount of x-ray flux received.
Positive Output	W7 = 2-3	Time integrated signal ramping from 0VDC to a maximum of at least 80% of the supply voltage (+9.6VDC for +12VDC supply). The slope of this signal is directly proportional to the amount of x-ray flux received.



Specific Configurations:

Unless specified otherwise, ICX ion chambers are delivered with an AID compatible jumper configuration. AID compatible means that the input and output signals will interface with Advanced Instrument Development, Inc's Expos-AID™ Automatic Exposure Control. This same configuration will also interface with Acoma, Control-X, CPI, Del Medical (Gendex), Electromed (EMD, Triton), OEC, Quantum Medical Imaging, Sedecal (Innerscan), Summit Industries, etc.

AID Compatible jumper configuration:

Jumper	Position	Function
61137A W1	1-2 & 3-4	low-active reset
61137A W2, W3 and W4	1-2 & 3-4	low-active field select
61137A W5 and 61137A W6	1-2 & 3-4 and 1-2 & 3-4	A-B-C = 2-1-3
61137A W7	2-3	positive output signal

Alternate configurations are listed below.

Trex Medical - Continental, Keithley, Ratheon, Xonics Compatible jumper configuration:

Jumper	Position	Function
61137A W1	1-2 & 3-4	low-active reset
61137A W2, W3 and W4	1-2 & 3-4	low-active field select
61137A W5 and 61137A W6	1-3 & 2-4 and 1-2 & 3-4	A-B-C = 1-2-3
61137A W7	2-3	positive output signal

Trex Medical - Bennett Compatible jumper configuration:

Jumper	Position	Function
61137A W1	1-2 & 3-4	low-active reset
61137A W2, W3 and W4	1-2 & 3-4	low-active field select
61137A W5 and 61137A W6	1-3 & 2-4 and 1-2 & 3-4	A-B-C = 1-2-3
61137A W7	1-2	negative output signal

GE, Fischer, Varian Compatible jumper configuration:

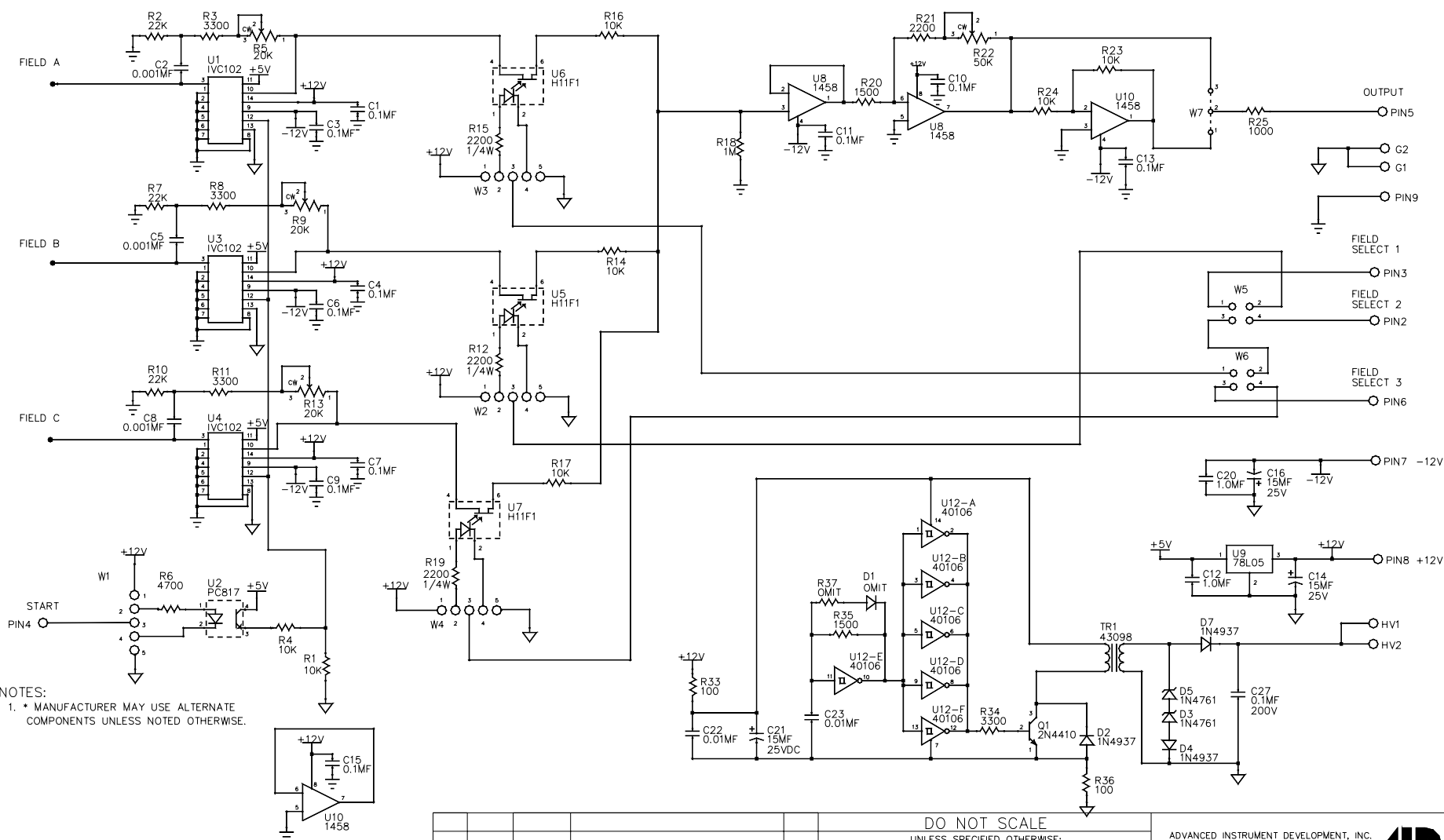
Jumper	Position	Function
61137A W1	2-3 & 4-5	high-active reset
61137A W2, W3 and W4	2-3 & 4-5	high-active field select
61137A W5 and 61137A W6	1-3 & 2-4 and 1-2 & 3-4	A-B-C = 1-2-3
61137A W7	2-3	positive output signal

Picker Compatible jumper configuration:

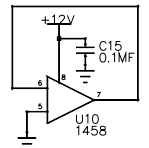
Jumper	Position	Function
61137A W1	1-2 & 3-4	low-active reset
61137A W2, W3 and W4	1-2 & 3-4	low-active field select
61137A W5 and 61137A W6	1-2 & 3-4 and 1-2 & 3-4	A-B-C = 2-1-3
61137A W7	1-2	negative output signal

GTR Labs Compatible jumper configuration:

Jumper	Position	Function
61137A W1	1-2 & 3-4	low-active reset
61137A W2, W3 and W4	1-2 & 3-4	low-active field select
61137A W5 and 61137A W6	1-2 & 3-4 and 1-3 & 2-4	A-B-C = 3-1-2 (= GTR Labs fields 1-2-3)
61137A W7	2-3	positive output signal



NOTES:  
 1. \* MANUFACTURER MAY USE ALTERNATE COMPONENTS UNLESS NOTED OTHERWISE.



					DO NOT SCALE			ADVANCED INSTRUMENT DEVELOPMENT, INC. 1011 N. 25TH AVE. MELROSE PARK, IL. 60160					
					UNLESS SPECIFIED OTHERWISE: DIMENSIONS ARE IN INCHES: FRACTIONS DECIMALS ANGLES $\pm 1/64$ $\pm 0.010$ $\pm 1^\circ$								
					SCALE	NONE	DRAWN BY	CJL	DATE	<b>3-FIELD PRE-AMP BD.</b> <b>(150 VOLT BIAS)</b>			
					MATERIAL		CHECKED BY						
					FINISH		APPROVED BY						
REV.	ECN NO.	DATE	REVISIONS	BY	<small>THIS DRAWING REPRESENTS PROPRIETARY AND CONFIDENTIAL INFORMATION ORIGINATED BY ADVANCED INSTRUMENT DEVELOPMENT, INC. AND WHICH SHALL NOT BE DISCLOSED OR UTILIZED IN ANY MANNER DETRIMENTAL TO THE COMPANY'S BUSINESS.</small>					USED ON	NEXT ASSY.	DRAWING NO.	REV.
										ICX SERIES		61137A	00