



# Ion Chambers For Fuji Applications

26 March 2008

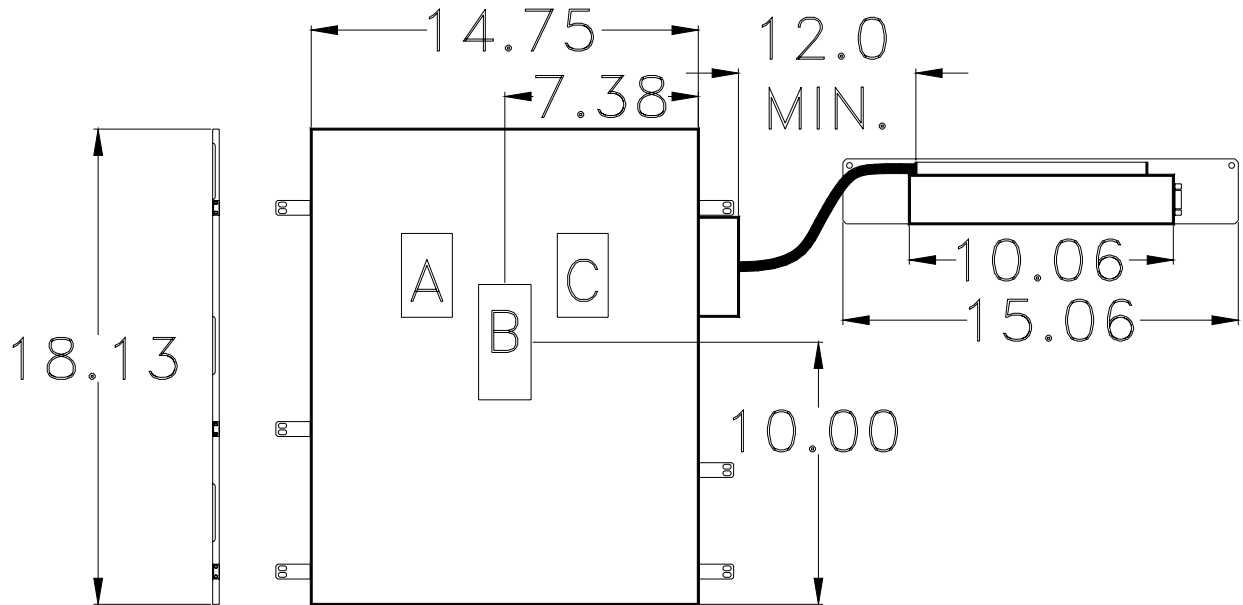
-SERVING THE MEDICAL X-RAY FIELD SINCE 1969-

ADVANCED INSTRUMENT DEVELOPMENT, INC. 2545 CURTISS STREET DOWNERS GROVE, ILLINOIS 60515-4059  
TELEPHONE: (630) 271-9729 FACSIMILE: (630) 271-9995 [www.aidxray.com](http://www.aidxray.com)



- ICX118 Series -

## FUJI FCR 9501 CHEST STAND



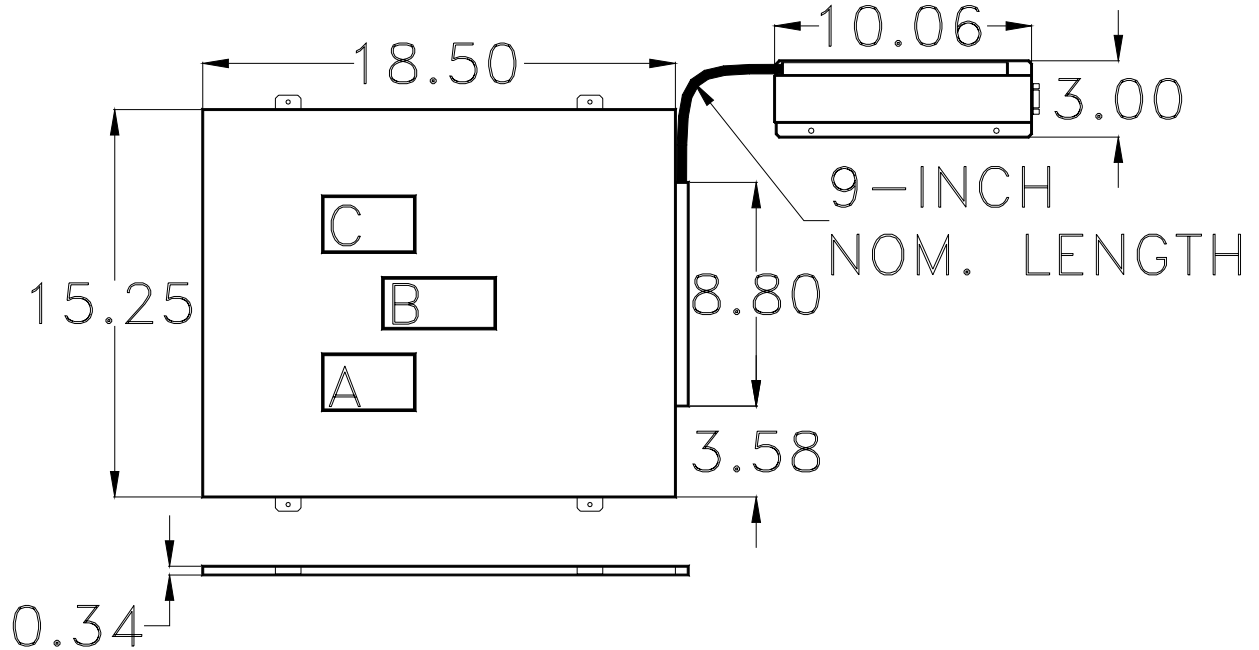
Model	AEC Compatibility	Field Select Signals	Start Integrating Signal	Output Signal
ICX018	Toshiba	Not Applicable A-B-C = 1-2-3	Not Applicable	Negative DC Level
ICX118	AID, Acoma, Control-X, Electromed, Gendex, Innerscan, OEC, Summit Industries	Low-Active (0VDC) A-B-C = 2-1-3	Low-Active (0VDC)	Positive Ramp
ICX218	GEMS	High-Active (15-24VDC) A-B-C = 1-2-3	High-Active (15-24VDC)	Positive Ramp
ICX318	Philips	High-Active (12VDC) A-B-C = 2-1-3	High-Active (12VDC)	Positive Ramp
ICX418	Fischer, Varian, CPI, RMS	High-Active (12VDC) A-B-C = 1-2-3	High-Active (12VDC)	Positive Ramp
ICX518	Trex-Bennett	Low-Active (0VDC) A-B-C = 1-2-3	Low-Active (0VDC)	Negative Ramp
ICX618	Trex-Continental, GTR Labs, Keithley, Raytheon, Xonics	Low-Active (0VDC) A-B-C = 1-2-3	Low-Active (0VDC)	Positive Ramp
ICX718	Siemens	High-Active (15VDC) A-B-C = 2-1-3	Not Applicable	Positive DC Level
ICX818	Picker International	Low-Active (0VDC) A-B-C = 2-1-3	Low-Active (0VDC)	Negative Ramp

-SERVING THE MEDICAL X-RAY FIELD SINCE 1969-



- ICX121 Series -

## FUJI FCR 9502/HQ TABLE



Model	AEC Compatibility	Field Select Signals	Start Integrating Signal	Output Signal
ICX021	Toshiba	Not Applicable A-B-C = 1-2-3	Not Applicable	Negative DC Level
ICX121	AID, Acoma, Control-X, Electromed, Gendex, Innerscan, OEC, Summit Industries	Low-Active (0VDC) A-B-C = 2-1-3	Low-Active (0VDC)	Positive Ramp
ICX221	GEMS	High-Active (15-24VDC) A-B-C = 1-2-3	High-Active (15-24VDC)	Positive Ramp
ICX321	Philips	High-Active (12VDC) A-B-C = 2-1-3	High-Active (12VDC)	Positive Ramp
ICX421	Fischer, Varian, CPI, RMS	High-Active (12VDC) A-B-C = 1-2-3	High-Active (12VDC)	Positive Ramp
ICX521	Trex-Bennett	Low-Active (0VDC) A-B-C = 1-2-3	Low-Active (0VDC)	Negative Ramp
ICX621	Trex-Continental, GTR Labs, Keithley, Raytheon, Xonics	Low-Active (0VDC) A-B-C = 1-2-3	Low-Active (0VDC)	Positive Ramp
ICX721	Siemens	High-Active (15VDC) A-B-C = 2-1-3	Not Applicable	Positive DC Level
ICX821	Picker International	Low-Active (0VDC) A-B-C = 2-1-3	Low-Active (0VDC)	Negative Ramp

-SERVING THE MEDICAL X-RAY FIELD SINCE 1969-

ADVANCED INSTRUMENT DEVELOPMENT, INC. 2545 CURTISS STREET DOWNERS GROVE, ILLINOIS 60515-4059

TELEPHONE: (630) 271-9729

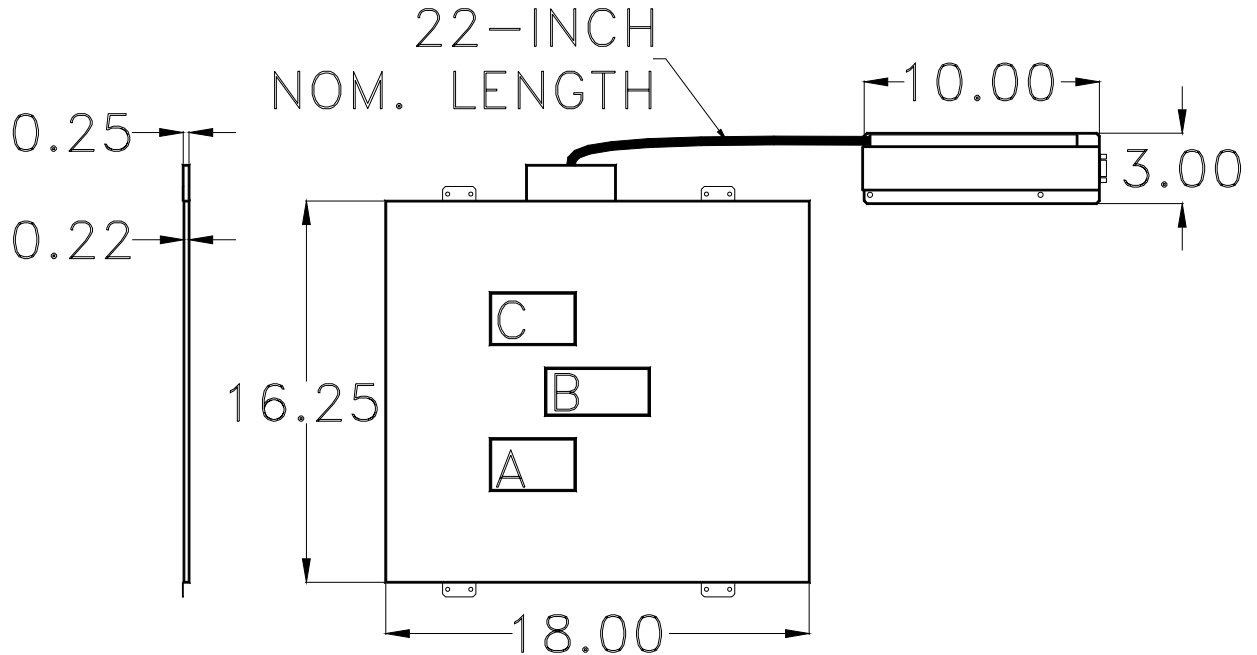
FACSIMILE: (630) 271-9995

www.aidxray.com



- ICX123 Series -

## FUJI FCR 9501-ES CHEST STAND



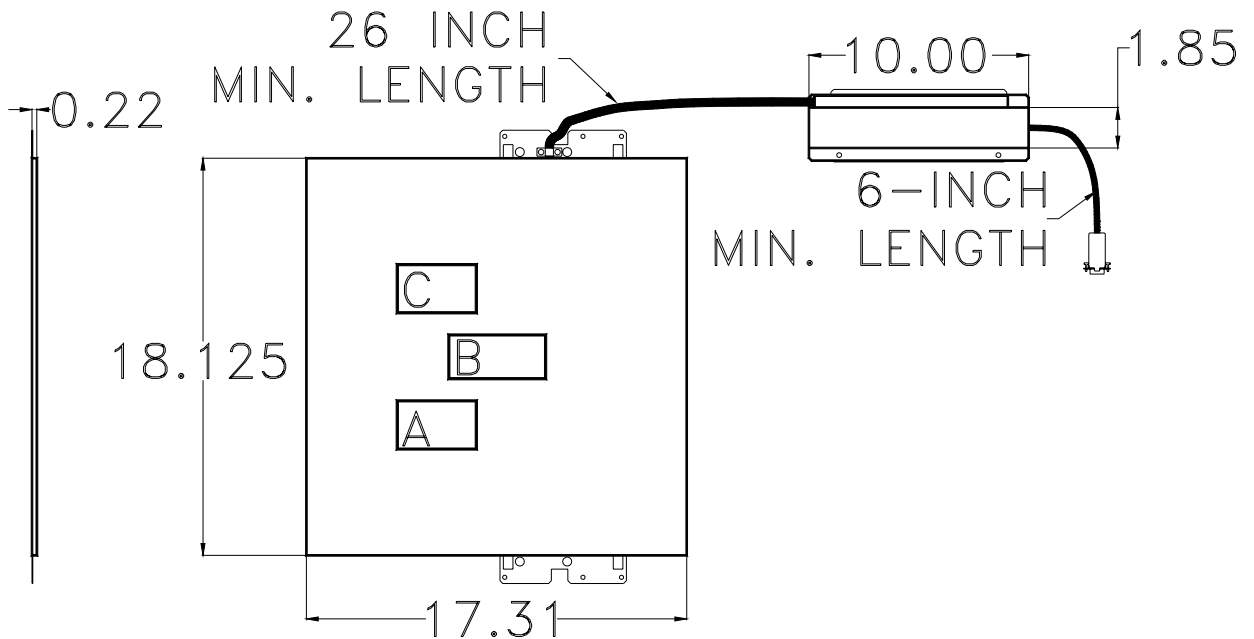
Model	AEC Compatibility	Field Select Signals	Start Integrating Signal	Output Signal
ICX023	Toshiba	Not Applicable A-B-C = 1-2-3	Not Applicable	Negative DC Level
ICX123	AID, Acoma, Control-X, Electromed, Gendex, Innerscan, OEC, Summit Industries	Low-Active (0VDC) A-B-C = 2-1-3	Low-Active (0VDC)	Positive Ramp
ICX223	GEMS	High-Active (15-24VDC) A-B-C = 1-2-3	High-Active (15-24VDC)	Positive Ramp
ICX323	Philips	High-Active (12VDC) A-B-C = 2-1-3	High-Active (12VDC)	Positive Ramp
ICX423	Fischer, Varian, CPI, RMS	High-Active (12VDC) A-B-C = 1-2-3	High-Active (12VDC)	Positive Ramp
ICX523	Trex-Bennett	Low-Active (0VDC) A-B-C = 1-2-3	Low-Active (0VDC)	Negative Ramp
ICX623	Trex-Continental, GTR Labs, Keithley, Raytheon, Xonics	Low-Active (0VDC) A-B-C = 1-2-3	Low-Active (0VDC)	Positive Ramp
ICX723	Siemens	High-Active (15VDC) A-B-C = 2-1-3	Not Applicable	Positive DC Level
ICX823	Picker International	Low-Active (0VDC) A-B-C = 2-1-3	Low-Active (0VDC)	Negative Ramp

-SERVING THE MEDICAL X-RAY FIELD SINCE 1969-



- ICX124 Series -

## FUJI FCR 5501 17X17 CHEST STAND



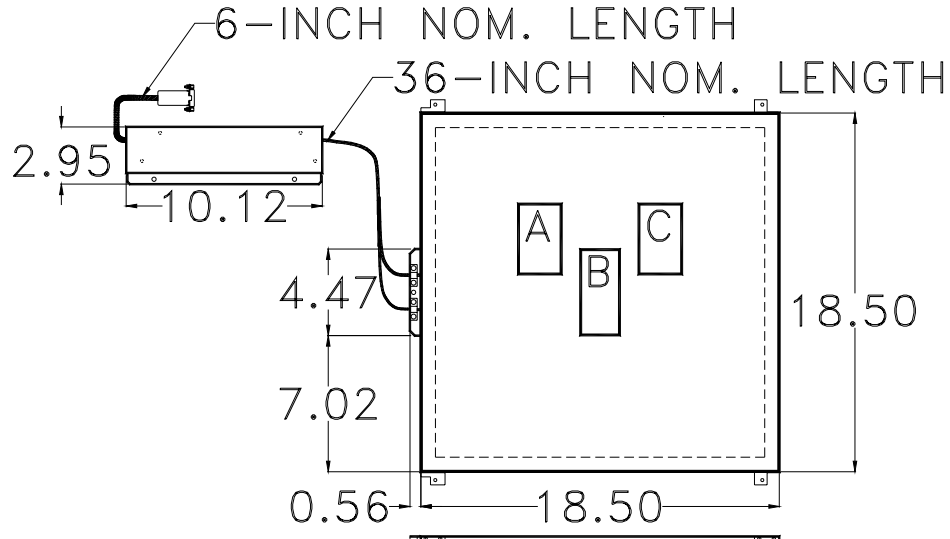
Model	AEC Compatibility	Field Select Signals	Start Integrating Signal	Output Signal
ICX024	Toshiba	Not Applicable A-B-C = 1-2-3	Not Applicable	Negative DC Levels
ICX124	AID, Acoma, Control-X, Electromed, Gendex, Innerscan, OEC, Summit Industries	Low-Active (0VDC) A-B-C = 2-1-3	Low-Active (0VDC)	Positive Ramp
ICX224	GEMS	High-Active (15-24VDC) A-B-C = 1-2-3	High-Active (15-24VDC)	Positive Ramp
ICX324	Philips	High-Active (12VDC) A-B-C = 2-1-3	High-Active (12VDC)	Positive Ramp
ICX424	Fischer, Varian, CPI, RMS	High-Active (12VDC) A-B-C = 1-2-3	High-Active (12VDC)	Positive Ramp
ICX524	Trex-Bennett	Low-Active (0VDC) A-B-C = 1-2-3	Low-Active (0VDC)	Negative Ramp
ICX624	Trex-Continental, GTR Labs, Keithley, Raytheon, Xonics	Low-Active (0VDC) A-B-C = 1-2-3	Low-Active (0VDC)	Positive Ramp
ICX724	Siemens	High-Active (15VDC) A-B-C = 2-1-3	Not Applicable	Positive DC Level
ICX824	Picker International	Low-Active (0VDC) A-B-C = 2-1-3	Low-Active (0VDC)	Negative Ramp

-SERVING THE MEDICAL X-RAY FIELD SINCE 1969-



- ICX125L Series -  
HEAD-END LEFT CONFIGURATION

**FUJI FCR 5502 17X17 TABLE**



Model	AEC Compatibility	Field Select Signals	Start Integrating Signal	Output Signal
ICX025L	Toshiba	Not Applicable A-B-C = 1-2-3	Not Applicable	Negative DC Levels
ICX125L	AID, Acoma, Control-X, Electromed, Gendex, Innerscan, OEC, Summit Industries	Low-Active (0VDC) A-B-C = 2-1-3	Low-Active (0VDC)	Positive Ramp
ICX225L	GEMS	High-Active (15-24VDC) A-B-C = 1-2-3	High-Active (15-24VDC)	Positive Ramp
ICX325L	Philips	High-Active (12VDC) A-B-C = 2-1-3	High-Active (12VDC)	Positive Ramp
ICX425L	Fischer, Varian, CPI, RMS	High-Active (12VDC) A-B-C = 1-2-3	High-Active (12VDC)	Positive Ramp
ICX525L	Trex-Bennett	Low-Active (0VDC) A-B-C = 1-2-3	Low-Active (0VDC)	Negative Ramp
ICX625L	Trex-Continental, GTR Labs, Keithley, Raytheon, Xonics	Low-Active (0VDC) A-B-C = 1-2-3	Low-Active (0VDC)	Positive Ramp
ICX725L	Siemens	High-Active (15VDC) A-B-C = 2-1-3	Not Applicable	Positive DC Level
ICX825L	Picker International	Low-Active (0VDC) A-B-C = 2-1-3	Low-Active (0VDC)	Negative Ramp

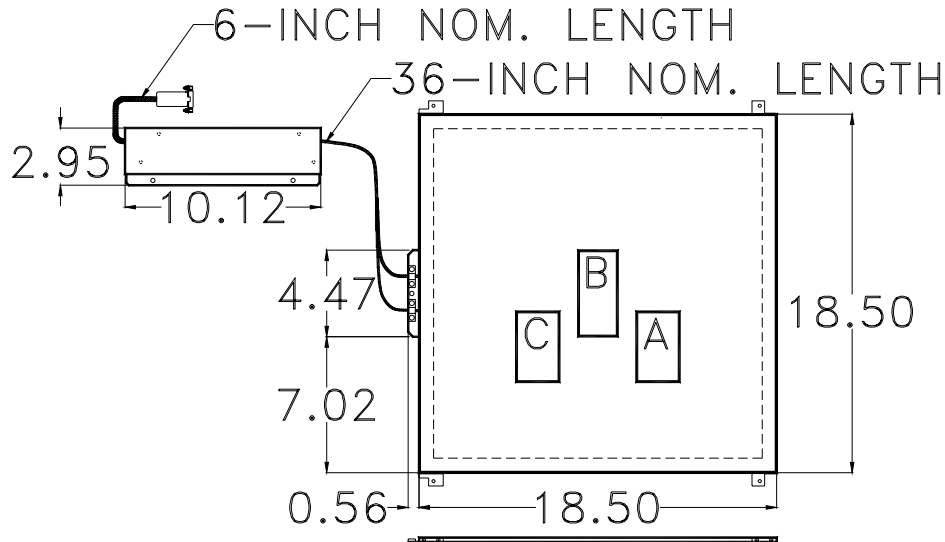
Any of these models can be specified head-end left or head-end right at the time of order. The models ICX025, ICX325 and ICX725 must be specified head-end left or head-end right when ordering (e.g. ICX725L or ICX725R).

-SERVING THE MEDICAL X-RAY FIELD SINCE 1969-



- ICX125R Series -  
HEAD-END RIGHT CONFIGURATION

**FUJI FCR 5502 17X17 TABLE**



Model	AEC Compatibility	Field Select Signals	Start Integrating Signal	Output Signal
ICX025R	Toshiba	Not Applicable A-B-C = 1-2-3	Not Applicable	Negative DC Levels
ICX125R	AID, Acoma, Control-X, Electromed, Gendex, Innerscan, OEC, Summit Industries	Low-Active (0VDC) A-B-C = 2-1-3	Low-Active (0VDC)	Positive Ramp
ICX225R	GEMS	High-Active (15-24VDC) A-B-C = 1-2-3	High-Active (15-24VDC)	Positive Ramp
ICX325R	Philips	High-Active (12VDC) A-B-C = 2-1-3	High-Active (12VDC)	Positive Ramp
ICX425R	Fischer, Varian, CPI, RMS	High-Active (12VDC) A-B-C = 1-2-3	High-Active (12VDC)	Positive Ramp
ICX525R	Trex-Bennett	Low-Active (0VDC) A-B-C = 1-2-3	Low-Active (0VDC)	Negative Ramp
ICX625R	Trex-Continental, GTR Labs, Keithley, Raytheon, Xonics	Low-Active (0VDC) A-B-C = 1-2-3	Low-Active (0VDC)	Positive Ramp
ICX725R	Siemens	High-Active (15VDC) A-B-C = 2-1-3	Not Applicable	Positive DC Level
ICX825R	Picker International	Low-Active (0VDC) A-B-C = 2-1-3	Low-Active (0VDC)	Negative Ramp

Any of these models can be specified head-end left or head-end right at the time of order. The models ICX025, ICX325 and ICX725 must be specified head-end left or head-end right when ordering (e.g. ICX725L or ICX725R).

-SERVING THE MEDICAL X-RAY FIELD SINCE 1969-



Each ion chamber for the Fuji FCR applications comes with a 17-foot interconnect cable, 75062-17, to run from the ion chamber to the cable exit of the FCR system.

An additional cable is required to run from the FCR cable exit to the AEC. The type of AEC used determines the specific cable as shown in the table below.

NOTE: Picker compatible models (ICX818, etc.) come with a Picker compatible cable, 75054-17, and do not require additional cables.

The customer specifies cable lengths. The “-XX” suffix in the cable part numbers denotes the length and may be 45, 65 or 85-foot lengths (“-45”, “-65” or “-85”) unless noted otherwise. Standard cable length is 45 feet unless noted otherwise.

AID Part Number	Description	Ion Chamber Connector	AEC Connector
75015-XX	Philips compatible	Female 9-pin sub-d	Male 14-pin AMP M Series (201355-1)
75030-XX	GE compatible (MSI, MST & DXS generators)	Female 9-pin sub-d	Male 15-pin AMP Mate-N-Lock (1-480324-0)
75035-XX	Standard ICX cable (AID compatible)	Female 9-pin sub-d	Male 9-pin sub-d
75043-XX	RMS/Fischer compatible	Female 9-pin sub-d	Male 14-pin AMP M Series (201355-1)
75045-XX	GE compatible	Female 9-pin sub-d	Male 14-pin AMP M Series (201355-1)
75047-XX	Picker compatible	Female 9-pin sub-d	Female 15-pin Molex (1625-15P)
75048-XX	GE Compatible (MPX generators)	Female 9-pin sub-d	Female 15-pin AMP M Series (205606-3)
75049-XX	ICX cable with flying leads	Female 9-pin sub-d	Supplied by installer
75054-XX	Picker Compatible	Female 9-pin sub-d	Male 3-pin Molex (03-06-1032) And Male 9-pin AMP (1-640511-0)
75059-40	Bennett Compatible (40 foot length only)	Female 9-pin sub-d	Female 11-pin in-line
75061-XX	ICX cable with fork lugs	Female 9-pin sub-d	#6 fork lugs
75062-XX	ICX interconnection cable	Female 9-pin sub-d	Male 9-pin sub-d with fixed mounting hardware
75066-XX	GE Compatible (European Pin-Out MPH Generators)	Female 9-pin sub-d	Male 14-Pin AMP M Series (201355-1)
75067-40	HMC Compatible (40 foot length only)	Female 9-pin sub-d	Female 10-Pin 0.1-Inch Center Line AMP (102387-1)
75069-XX	Toshiba Interconnection (mates with Toshiba P/N 4X17-51281)	Female 9-pin sub-d	Female 14-Pin Centronics parallel

-SERVING THE MEDICAL X-RAY FIELD SINCE 1969-